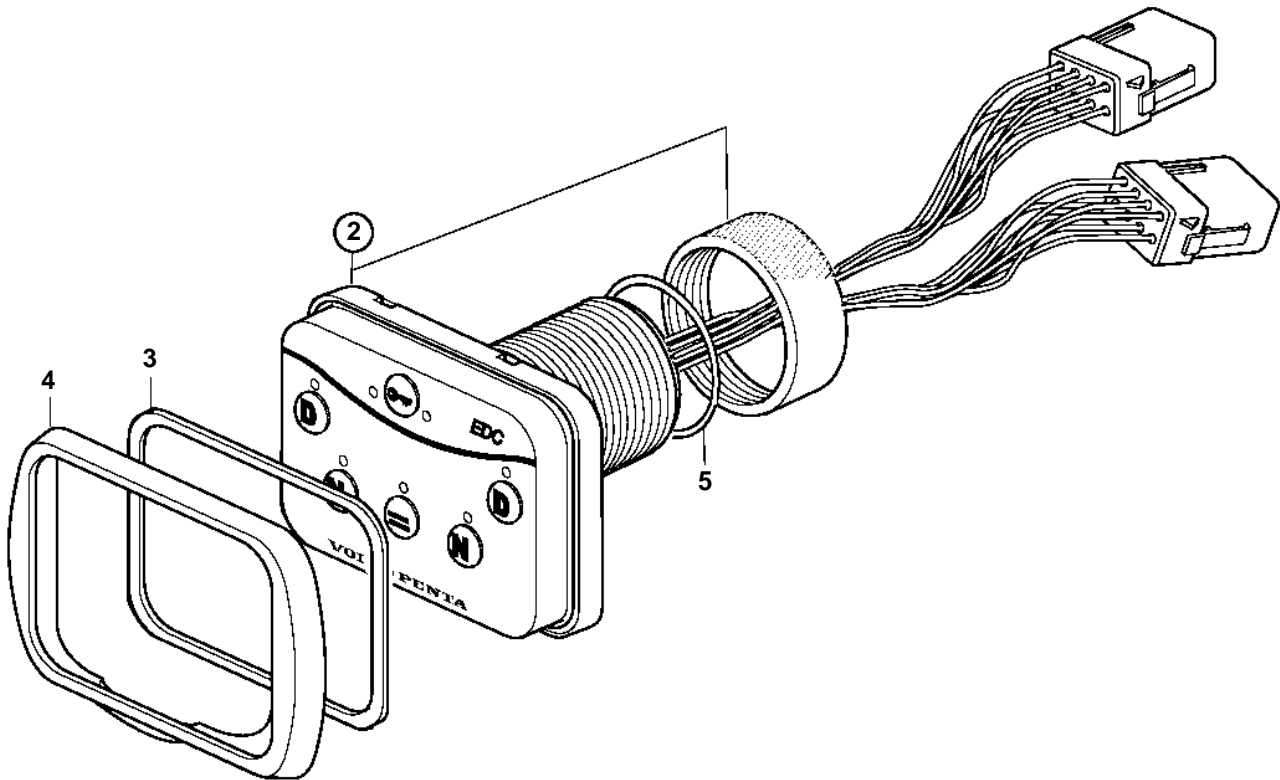
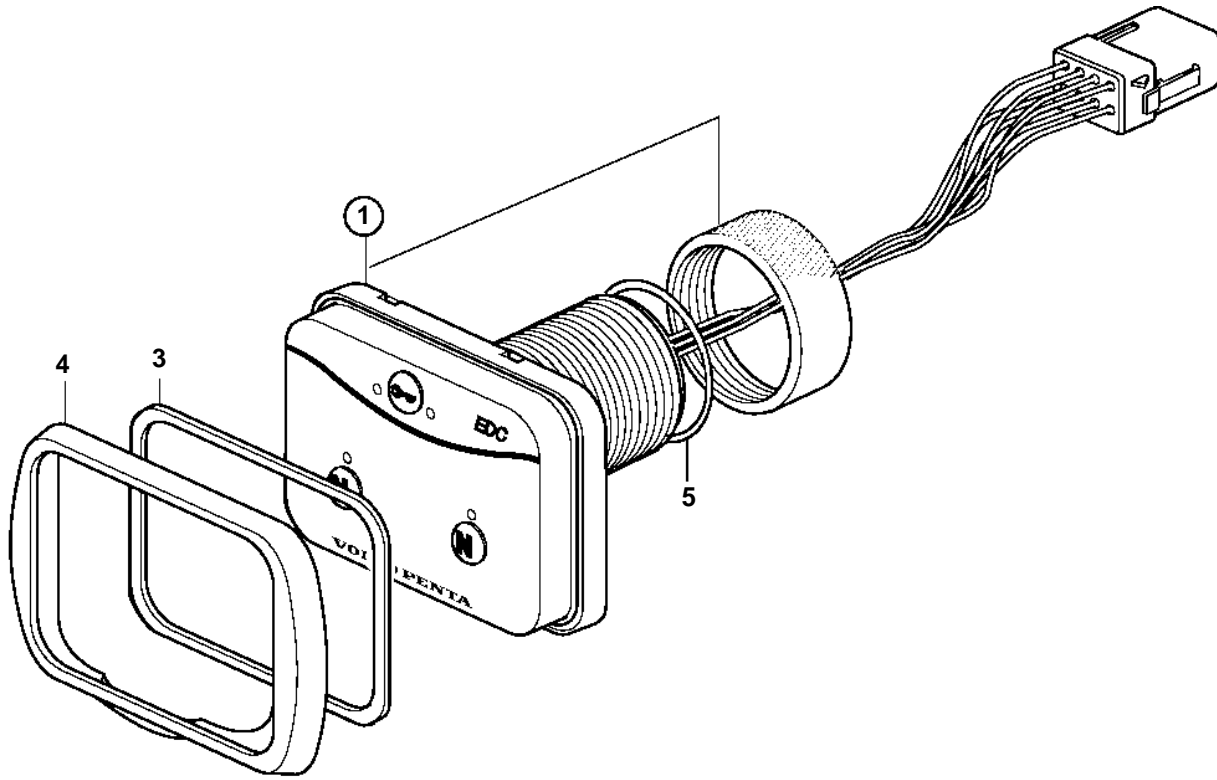


KAD32P-A, TAMD42WJ-A, KAMD43P-A, KAD43P-A, KAMD44P-A, KAD44P-A, KAMD44P-B, KAD44P-B, KAMD44P-C, KAD44P-C, KAMD300-A, KAD300-A



KAD32P-A, TAMD42WJ-A, KAMD43P-A, KAD43P-A, KAMD44P-A, KAD44P-A, KAMD44P-B, KAD44P-B, KAMD44P-C, KAD44P-C, KAMD300-A, KAD300-A

REF	PART NO.	QTY	DESCRIPTION	NOTES
1	874121	1	Control panel	Single engine installation. For single or multi stations.. For 2x8-pole system.
3	874192	1	· Gasket	ALT
4	874149	1	· Frame	ALT
5	874191	1	· O-ring	

